

2019

ZWSOFT & PARTsolutions

<https://www.zwsoft.com/>



Colin Lin

Deputy General Manager | ZWSOFT International Division

CONTENTS

1

About ZWSOFT

Company, Product, Customers

2

PARTsolutions Implementation

3

PARTsolutions Benefits



01

About ZWSOFT

ZWSOFT Introduction

Compellingly deliver prospective catalysts for change.

ABOUT ZWSOFT

ZWSOFT is a world-renowned CAD/CAM solutions provider to the AEC and MFG industries, and has developed design and manufacturing software that have continuously satisfied the needs of 2D and 3D drafters for over 2 decades.



Overview

Compellingly deliver prospective catalysts for change.



Our Vision

To be the world's leading CAD/CAM software provider.



Our Mission

To provide cost-effective software & services for CAD / CAM users.

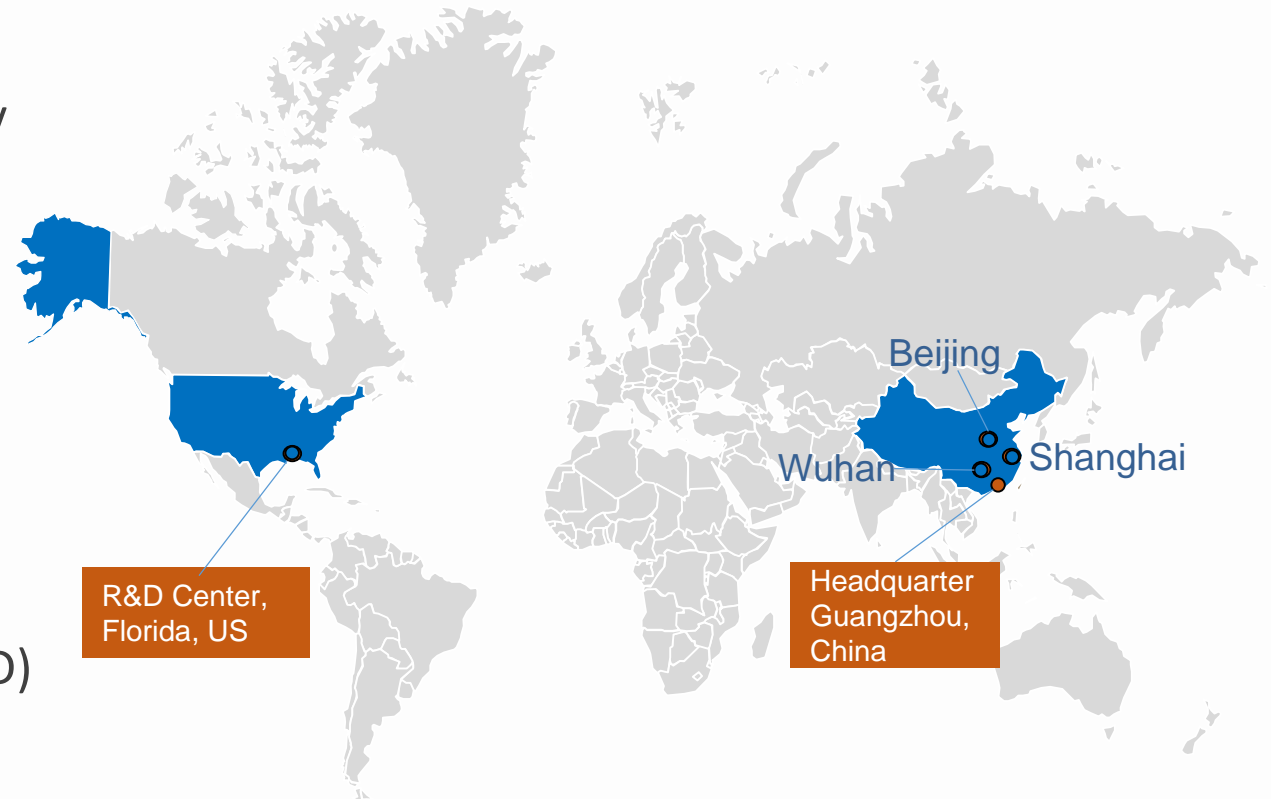
To establish a sustainable mutually beneficial eco-system for the design software industry.



Overview

Compellingly deliver prospective catalysts for change.

- **20+** years of experience in CAD/CAM industry
- **550+** staff, headquartered in Guangzhou
- **3** offices and **1** branch office
- **2** R&D centers in China and **1** in America
- **2D & 3D** business (ZW3D, CADbro & ZWCAD)



ZWSOFT Distribution

Compellingly deliver prospective catalysts for change.

550,000 +

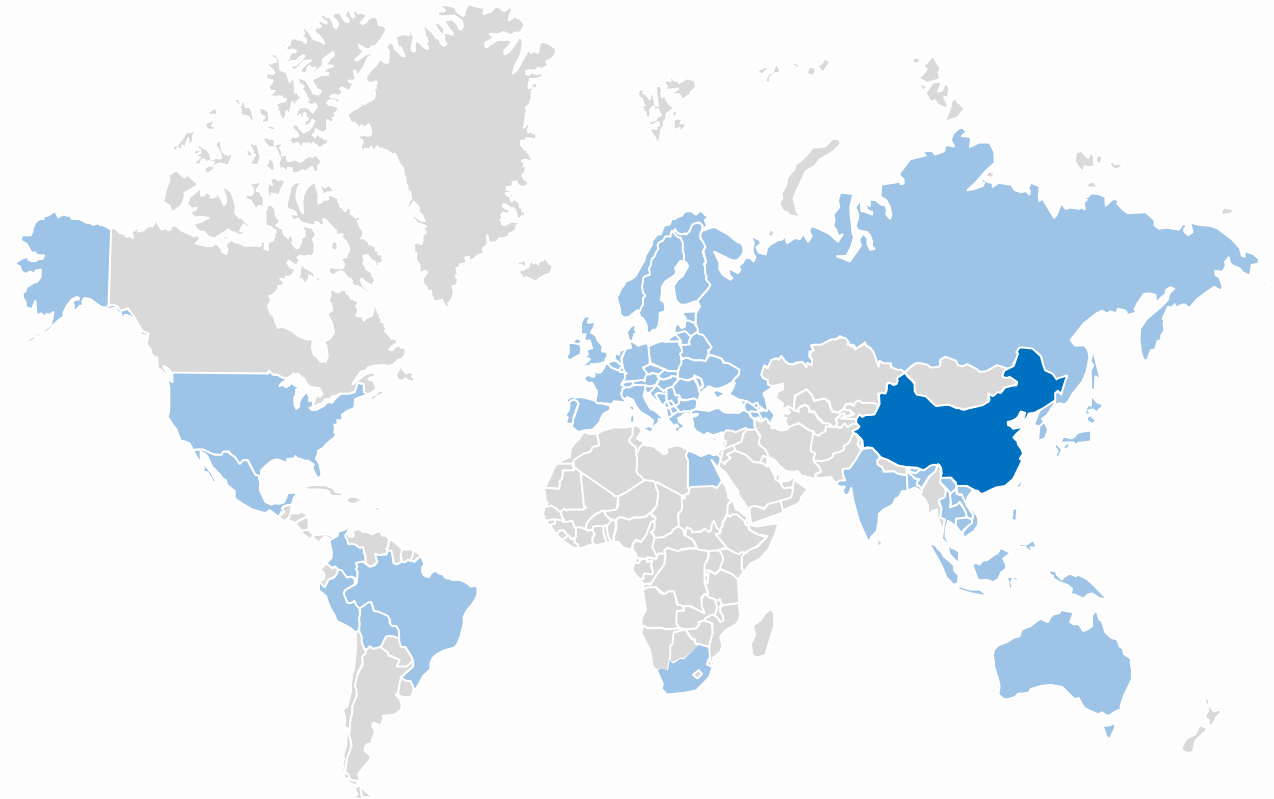
CUSTOMERS

90+

COUNTRIES

260+

GLOBAL PARTNERS



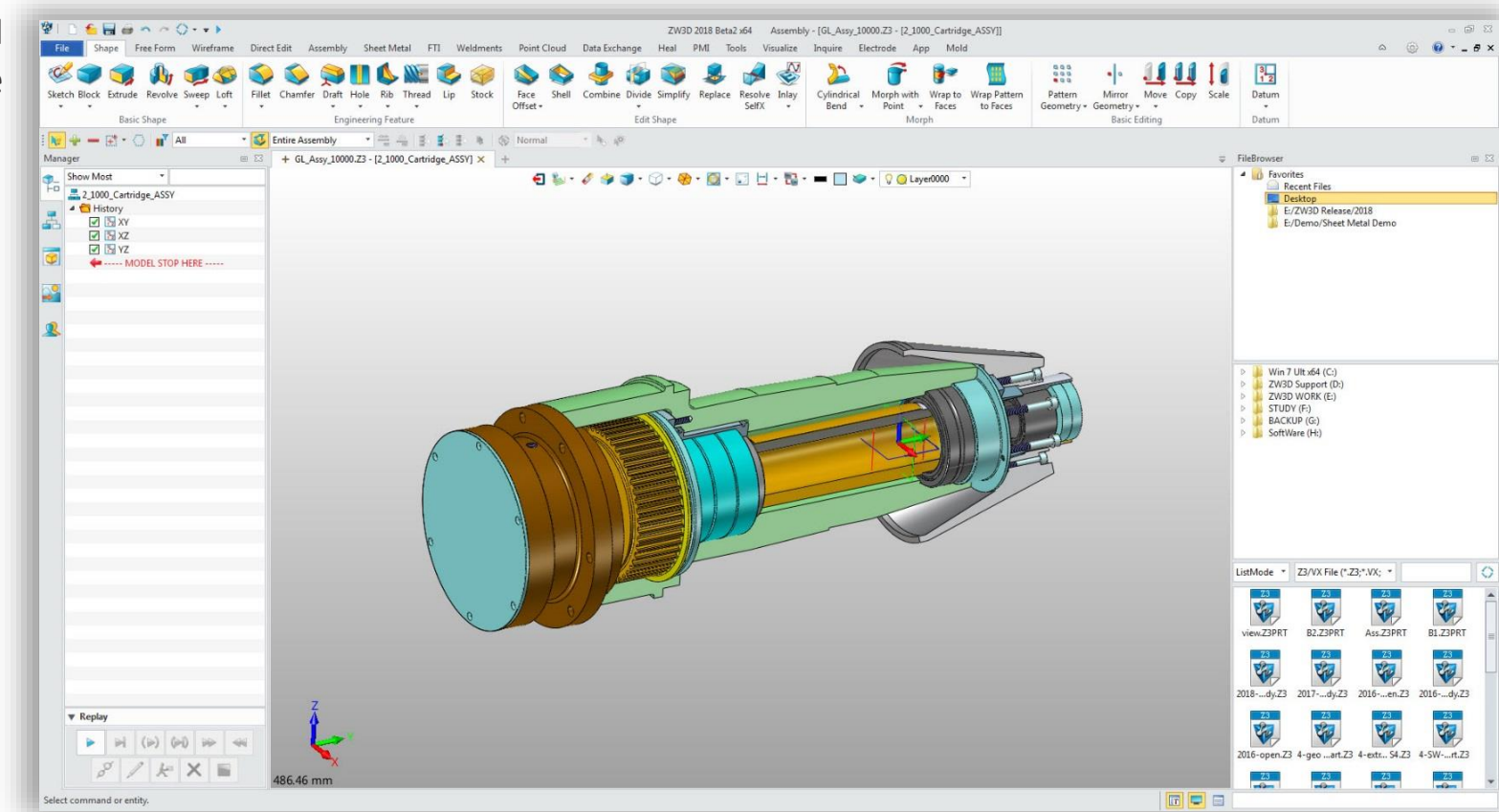
We believe that working together with our partners in the industry and sharing success is essential in today's business environment.

ZWSOFT Products



ZW3D

An integrated affordable CAD/CAM solution designed for the complete product development process



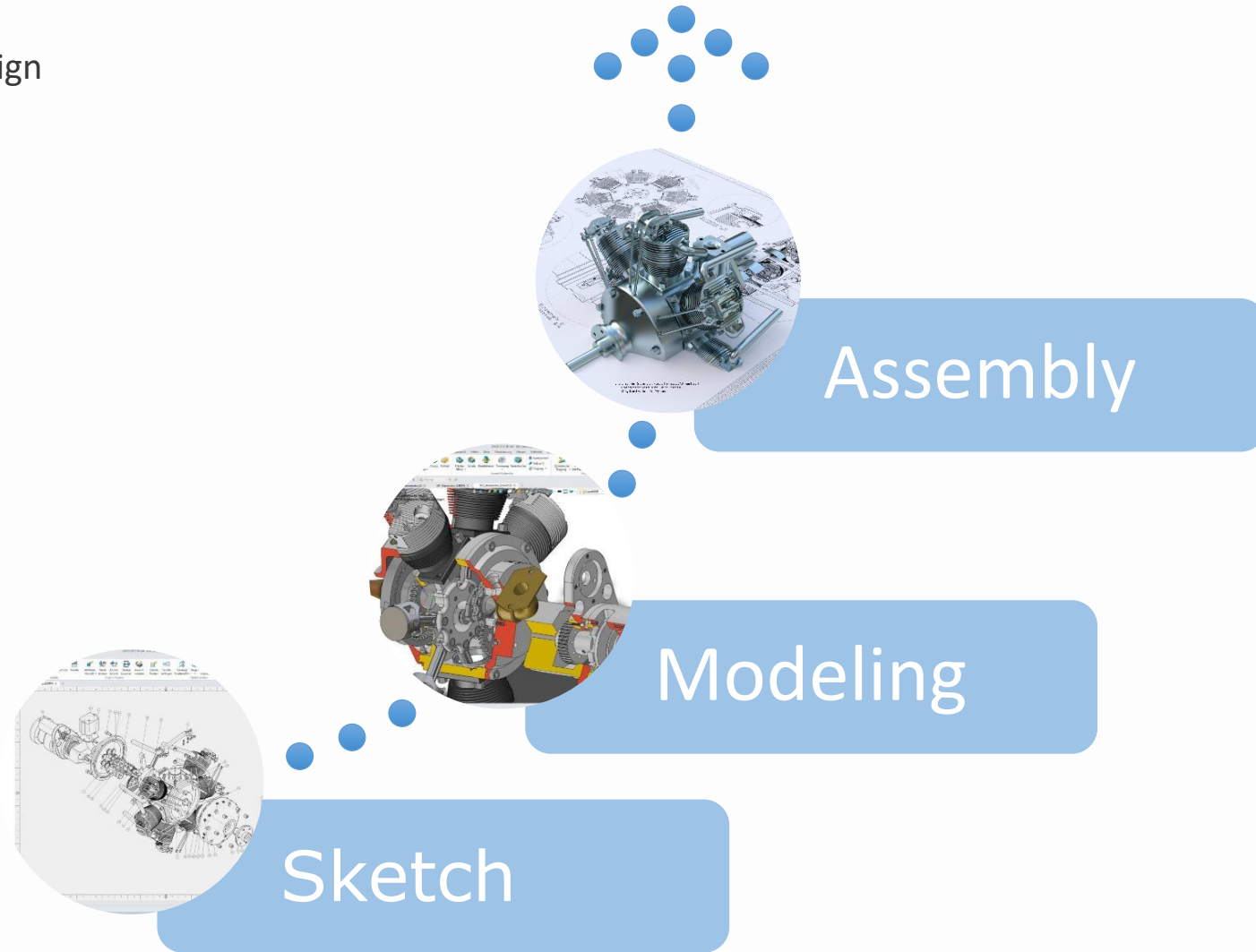
ZWSOFT Products



ZW3D

ZW3D CAD for product design
and assembly design

- ✓ Parametrical Design
- ✓ Direct Edit
- ✓ **Part Library**



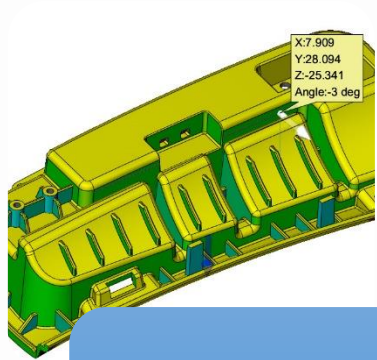
ZWSOFT Products



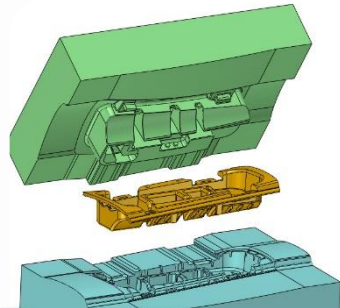
ZW3D

ZW3D Mold for 3D mold design and electrode design

- ✓ Parting
- ✓ **Mold Base**
- ✓ **Standard Part Library**

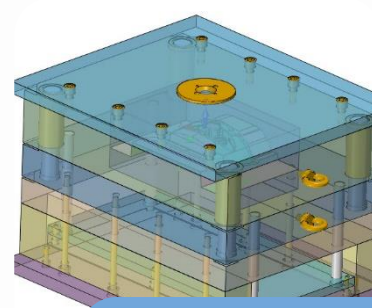
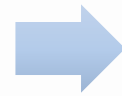


Product
check,
analysis or
healing

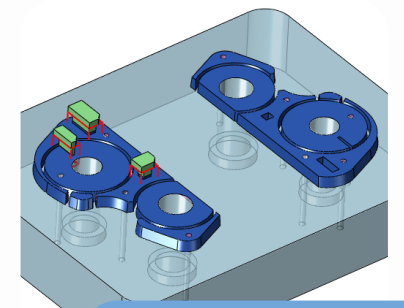


Flexible mold design

- Manual or automatic method
- Single-cavity & multi-cavity
- Flexible parting



Moldbase
and library



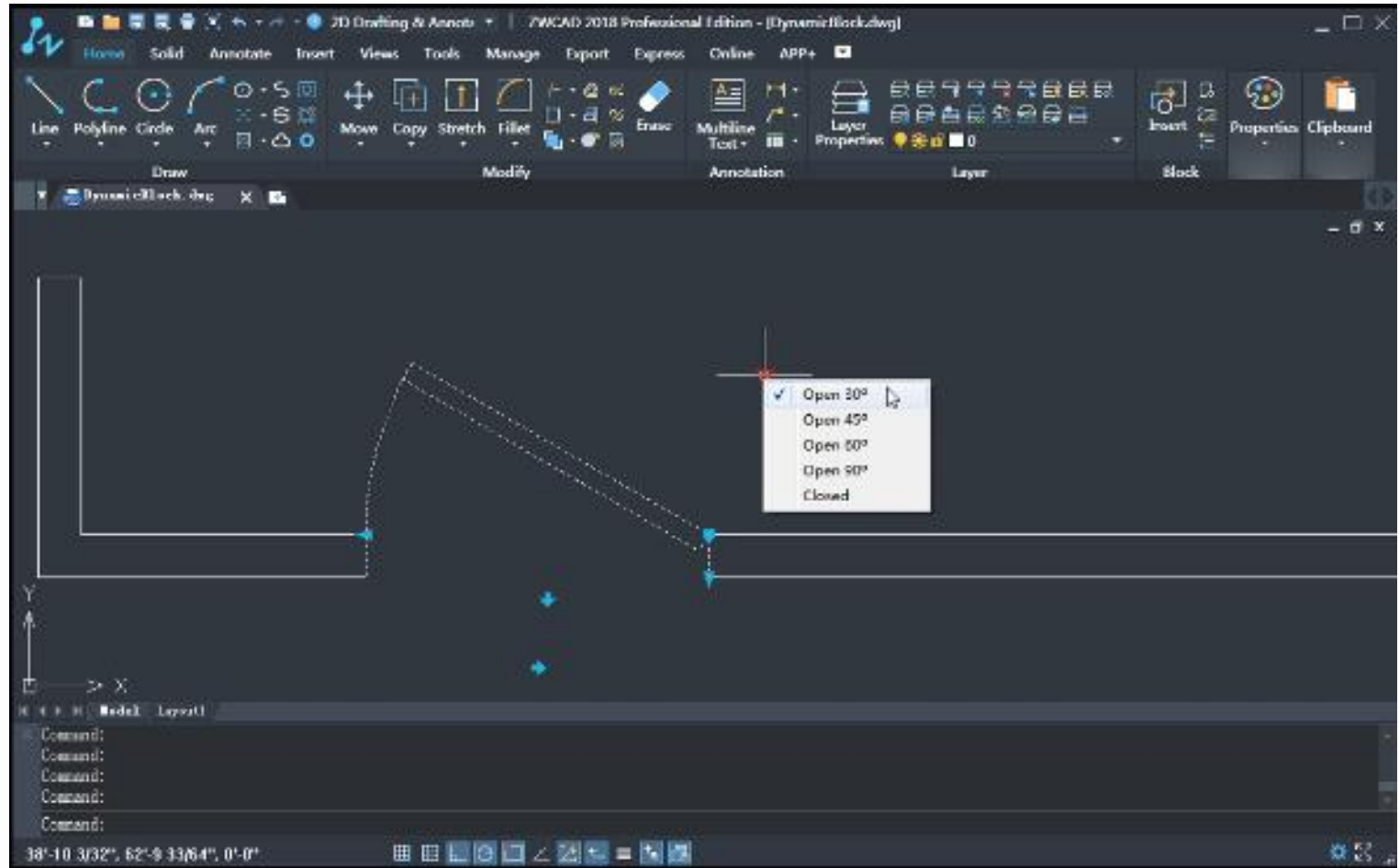
Electrode
design

ZWSOFT Products



ZWCAD is a powerful, reliable and DWG compatible CAD solution for worldwide users.

ZWCAD



ZWSOFT Products



Create, Review, and Share DWG files on mobile device



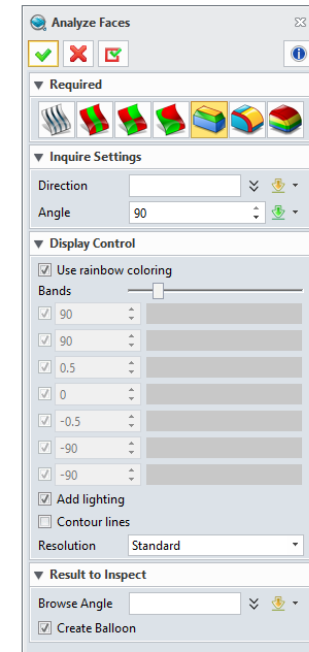
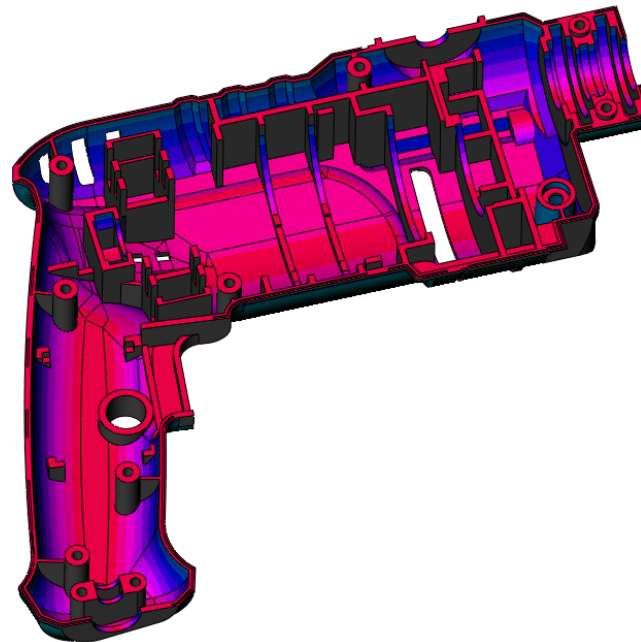
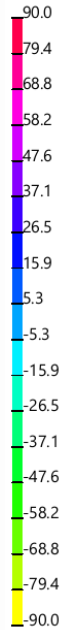
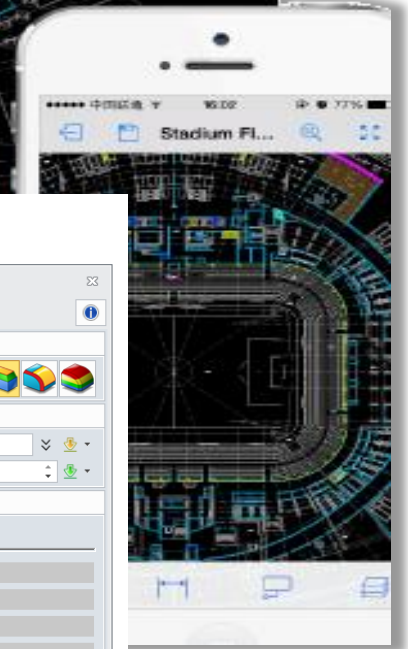
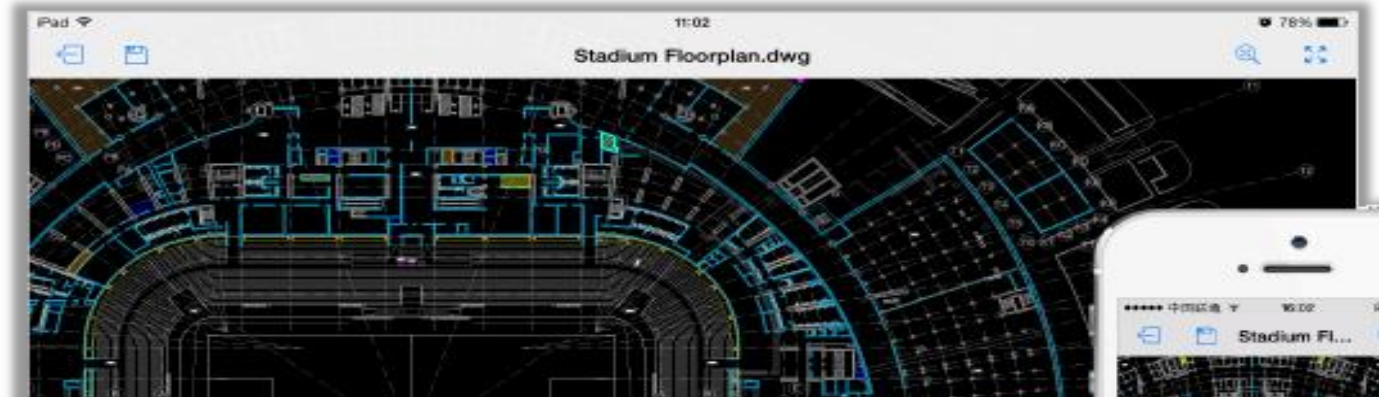
CADPockets



A budget-friendly 3D CAD viewer with multi-CAD format support



CADbro



Serving Industries

Compellingly deliver prospective catalysts for change.

Suitable for Various Industries

Consumer Products,

Textile

Machinery

Mechanical

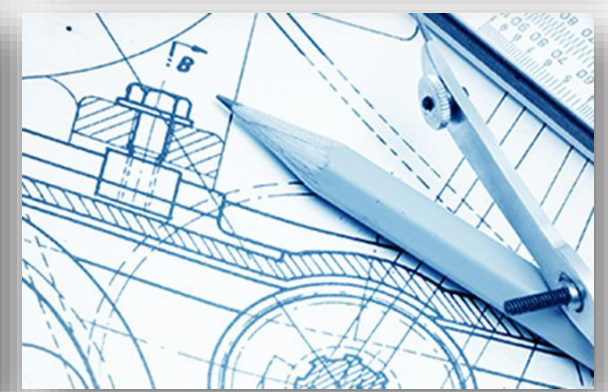
Medicine

Engineering

Mold Tool & Die

Electronic & Electric

Education ...



ZW3D Customers

Automotive, Machine Design, Mold Design, and other industries



ZWCAD Customers

Engineering , Manufacturing, Electrical, and other industries



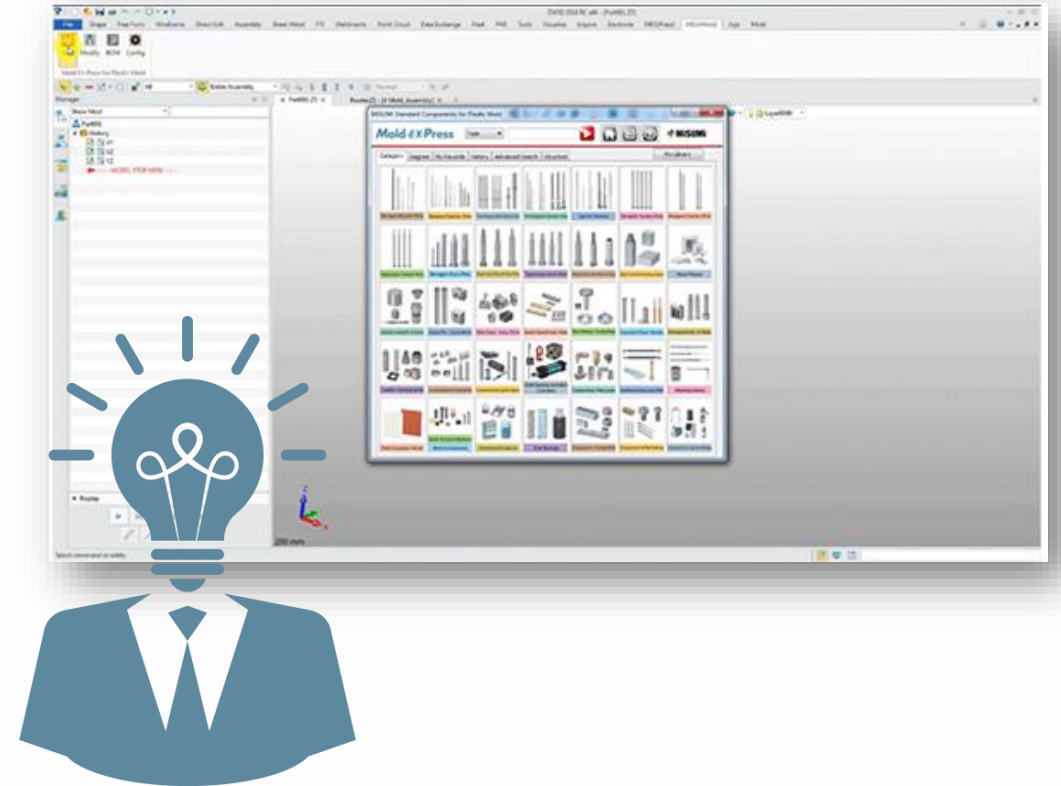
Why Choose PARTsolutions?

Strategic Parts Management Platform

Request from **550,000** customers: Implementation of different kinds of **library**



PARTsolutions

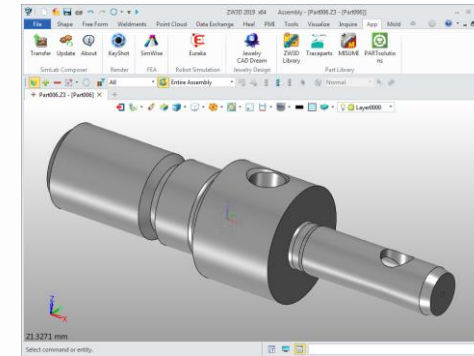
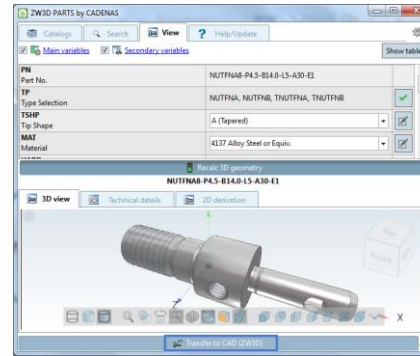
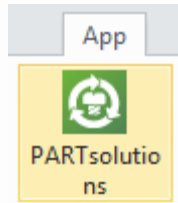


03

Implementation of PARTsolutions



Workflow



Launch
PARTsolutions
from ZW3D

Select the
model
Transfer to
CAD(ZW3D)

ZW3D import
the models

For the first time ,call
PARTsolutions startup
function to run PS

No need to restart PS
when inserting again

PS download
selected model in
step format to local
specified storage
directory

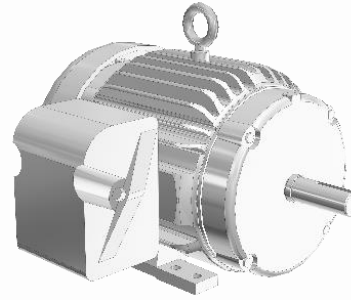
ZW3D read step
file, then insert
the mode to
current file

04

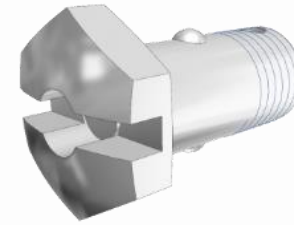
Benefits of PARTsolutions



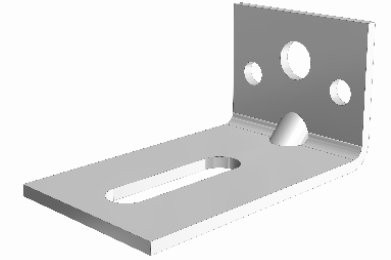
Benefits of PARTsolutions



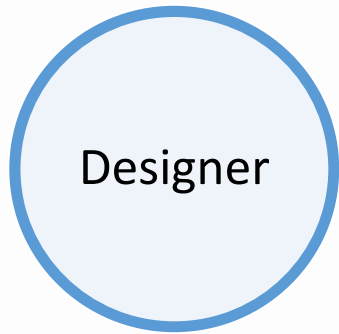
Commercial Standard Parts



Industry Standard Parts



Company Standard Parts

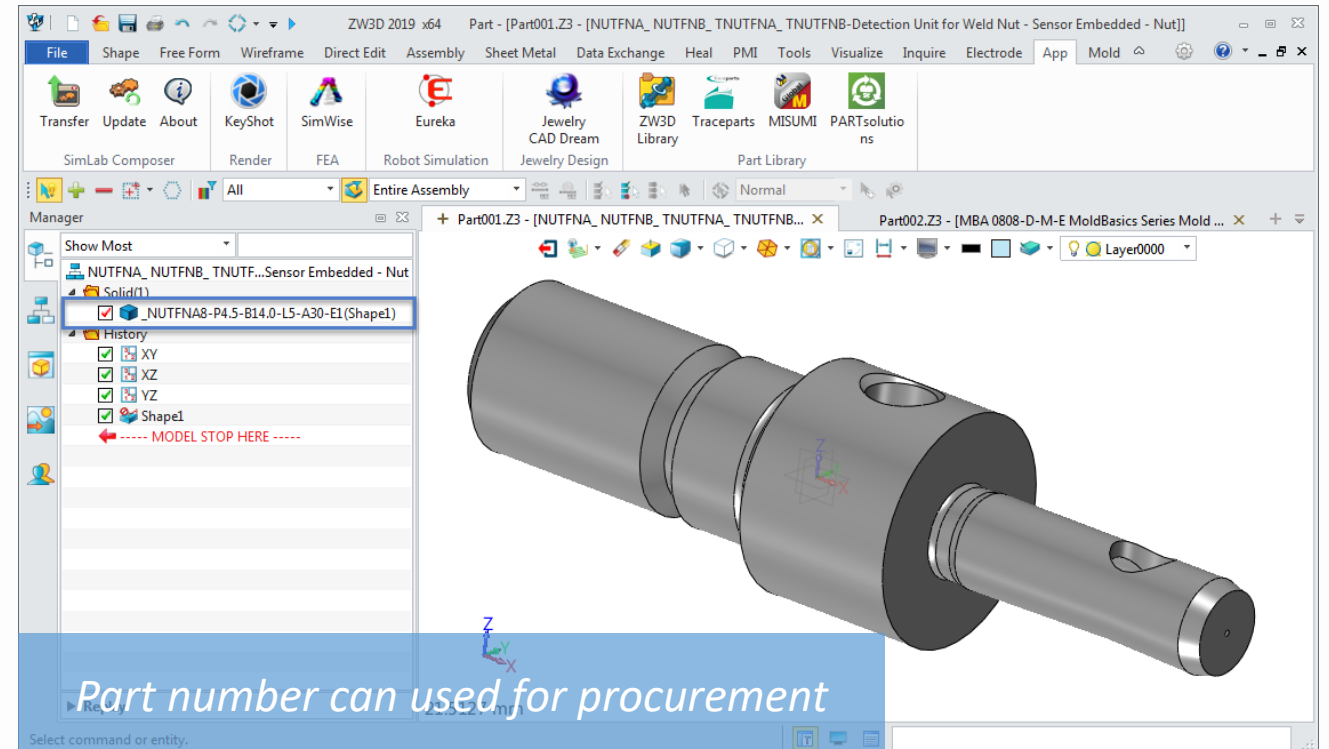


Designer

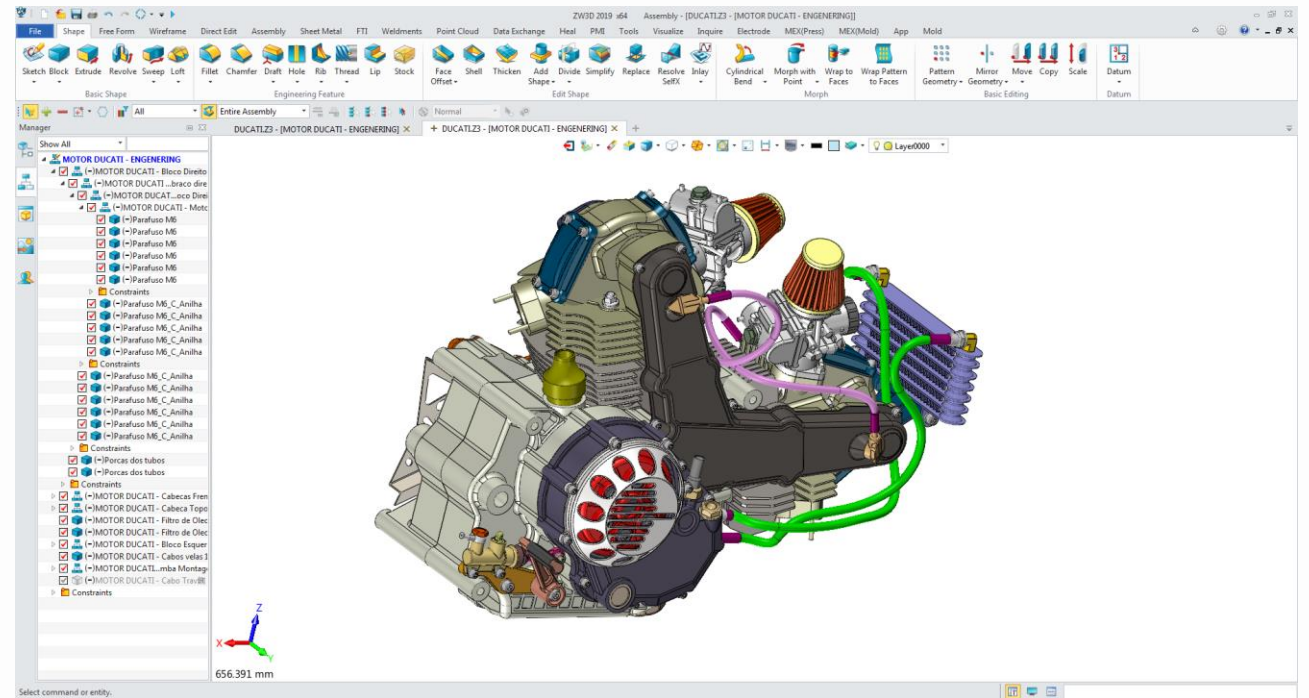
Quickly get many different standard part to speed design time

Reduce procurement cost by reusing exiting parts

Promote standardization



PARTsolutions for ZWSOFT automotive customers



Video

PARTsolutions for ZWSOFT mechanical customers



Video

PARTsolutions for ZWSOFT mold design customers



Various mold base and standard part for choose

Mold maker

Set plate attributes for mold base components

Directly get 3D BOM for procurement

The screenshot displays the ZWSOFT software interface for mold design. On the left, a 3D assembly model of a mold base is shown, composed of multiple colored layers (blue, green, red, yellow, purple). The central part of the interface shows a detailed 3D BOM table with columns for ID, Name, Material, Quantity, Length, Width, and Height. The table lists various components and their specifications. At the bottom, there is a text overlay that reads "Get 3D BOM of all components".

ID	Name	Material	Quantity	Leng...	Wid...	Heig...
1	_BCP_MBA0808-13-13-1_0_813_7/8_5/32_1/2_7/8_0_0_0_1	Aluminum	1	200.025	22.225	200.025
2	_SUP_MBA0808-13-13-1_0_813_7/8_5/32_1/2_7/8_0_0_1	Aluminum	1	200.025	34.925	200.025
3	_TD_34178TD_1	Aluminum	2	19.0551	47.625	19.0551
4	_BPMB0808-13-13-1_0_813_7/8_5/32_1/2_7/8_0_1	Aluminum	1	200.025	34.925	200.025
5	_APMBA0808-13-13-1_0_813_7/8_5/32_1/2_7/8_0_1	Aluminum	1	200.025	34.925	200.025
6	_TCP_MBA0808-13-13-1_0_813_7/8_5/32_1/2_7/8_0_0_1	Aluminum	1	200.025	22.225	200.025
7	_SHCS12114CS Socket Head Cap Screws_1	Aluminum	8	19.05	44.4...	19.05
8	_LP_5002-GL_1	Aluminum	4	69.8502	25.3...	25.3746
9	_LB_5701_1	Aluminum	4	34.9258	33.0...	33.0708
10	_EB_MBA0808-13-13-1_0_813_7/8_5/32_1/2_7/8_0_1	Aluminum	1	199.263	25.4	133.35
11	_SP_7100_1	Aluminum	4	205.504	15.875	15.875
12	_ER_MBA0808-13-13-1_0_813_7/8_5/32_1/2_7/8_0_1	Aluminum	1	199.263	12.7...	133.35
13	_RP_7411_M=4_1/16_1	Aluminum	4	103.188	19.05	19.05
14	_SHCS15161CS Socket Head Cap Screws_1	Aluminum	4	11.9075	33.3...	11.9075
15	_SHCS12212CS Socket Head Cap Screws_1	Aluminum	4	19.05	76.2...	19.05
16	_CL_MBA0808-13-13-1_0_813_7/8_5/32_1/2_7/8_0_1	Aluminum	1	200.025	63.5	31.75
17	_CB_MBA0808-13-13-1_0_813_7/8_5/32_1/2_7/8_0_1	Aluminum	1	100.015	43.5	31.75



PARTsolutions for ZWSOFT



Speed Design Time

Find and reuse parts faster using advanced search tools geometric, text, similarity, sketch search and more.



Reduce Engineering Costs

Save engineering and procurement costs by reusing existing parts rather than introducing new ones.



Promote Standardization

Make smarter business decisions and cleanup your engineering ecosystem with semi-automatic classification.

Win-Win



2019

ZWSOFT TEAM

MANY THANKS !

Follow and contact us:

